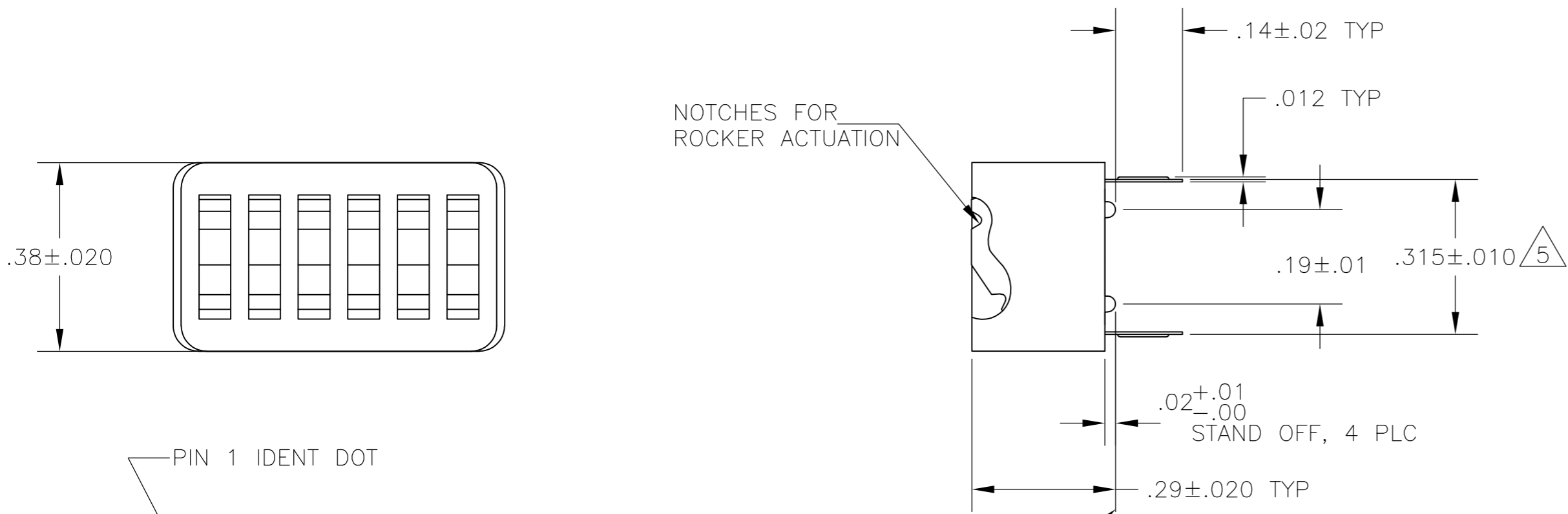
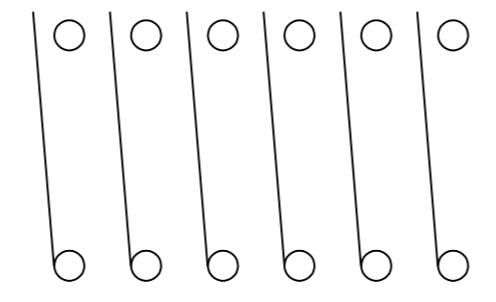
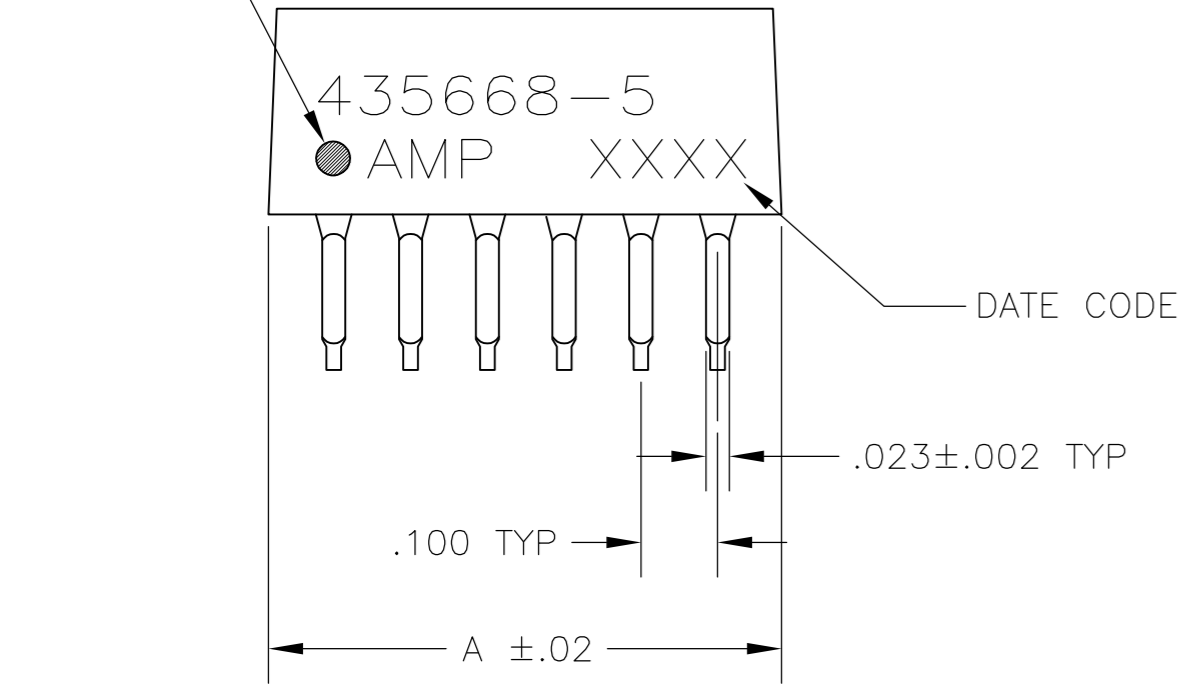


THIS DRAWING IS UNPUBLISHED. RELEASED FOR PUBLICATION
 © COPYRIGHT - By - ALL RIGHTS RESERVED.

LOC		DIST		REVISIONS			
P	LTR	DESCRIPTION	DATE	DWN	APVD		
AD	00	AM2	REVISD PER ECO-11-004587	11MAR11	RK	HMR	



- FOR ADDITIONAL SPECIFICATIONS SEE AMP PRODUCT SPEC 108-7532.
 - SWITCH SHOWN IN OPEN POSITION.
 - ALL CHARACTERS AND ROCKERS ARE WHITE, HOUSING IS BLUE.
 - STAMPING WILL VARY ON 2 AND 3 POSITION SIDES DUE TO SPACE RESTRICTIONS.
- △5 .315 DIMENSION APPLIES AT TERMINAL TIPS. TERMINALS ARE $.300^{+.010}_{-.000}$ AT MOUNTING SURFACE.
- △6 OBSOLETE PARTS: OBSOLETE CIS STREAMLINING PER D.RENAUD/D.SINISI



CONTACT ARRANGEMENT

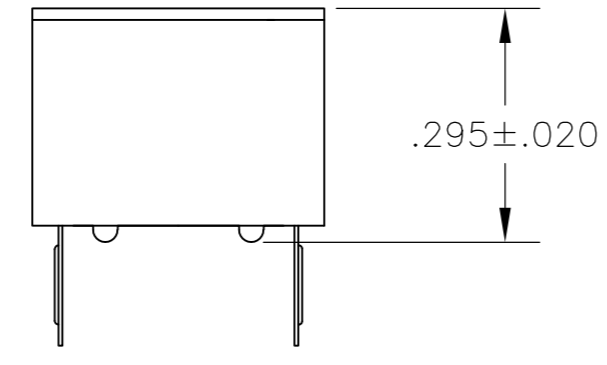
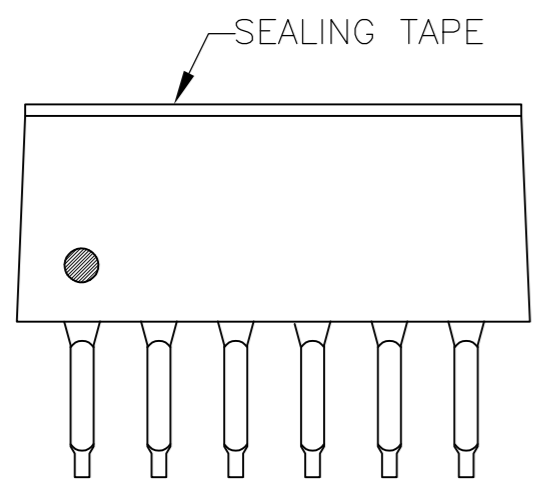


FIG1

435668-5 SHOWN

FIG	DESCRIPTION	FIG	NO	NO	NO	NO	NO
△6	OBSOLETE	FIG 7	---	.58	5	8-435668-7	
	OBSOLETE	FIG 6		1.08		8-435668-6	
	OBSOLETE	FIG 5		1.28	12	8-435668-5	
SUPERSEDED BY 2-435668-5		FIG 3 & 4			6	8-435668-3	
	OBSOLETE			.48	4	8-435668-0	
				.58	5	3-435668-5	
				.48	4	3-435668-4	
				.38	3	3-435668-3	
				1.28	12	3-435668-2	
△6	OBSOLETE			1.18	11	3-435668-1	
				1.08	10	3-435668-0	
				.98	9	2-435668-9	
				.88	8	2-435668-8	
				.78	7	2-435668-7	
				.28	2	2-435668-6	
				.68	6	2-435668-5	
SUPERSEDED BY 3-435668-2				1.28	12	1-435668-1	
				1.08	10	435668-9	
	OBSOLETE			.98	9	435668-8	
SUPERSEDED BY 2-435668-7				.88	8	435668-7	
				.78	7	435668-6	
				.68	6	435668-5	
				.58	5	435668-4	
				.48	4	435668-3	
				.38	3	435668-2	
SUPERSEDED BY 3-435668-3				.28	2	435668-1	
△6	OBSOLETE						

THIS DRAWING IS A CONTROLLED DOCUMENT.		DWN	R.TALLEY	02JAN90	TE Connectivity	
DIMENSIONS: INCHES		CHK	R.MILLER	03JAN90	NAME	
TOLERANCES UNLESS OTHERWISE SPECIFIED:		APVD	H.LEITER	03JAN90	PRODUCT SPEC	
0 PLC ± -		APPLICATION SPEC		SIZE		
1 PLC ± -		FINISH		CAGE CODE		
2 PLC ± -		CONTACTS: PLATED .000030 MIN GOLD IN CONTACT AREA OVER .000050 MIN NICKEL		DRAWING NO		
3 PLC ± .005		MATERIAL		RESTRICTED TO		
4 PLC ± -		HOUSING & ROCKERS: POLYESTER		SCALE		
ANGLES ± -		CONTACTS: COPPER ALLOY		SHEET		
FINISH		WEIGHT		REV		
MATERIAL		CUSTOMER DRAWING		AM2		

THIS DRAWING IS UNPUBLISHED. RELEASED FOR PUBLICATION
 © COPYRIGHT - By - ALL RIGHTS RESERVED.

LOC	DIST	REVISIONS					
AD	00	P	LTR	DESCRIPTION	DATE	DWN	APVD
		-	-	SEE SHEET 1	-	-	-

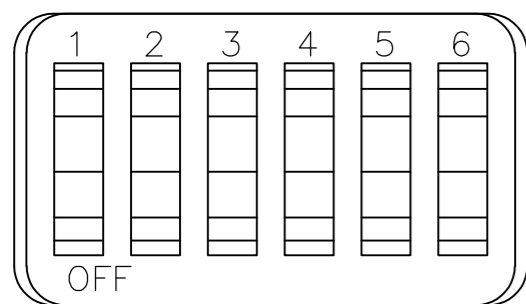


FIG 2

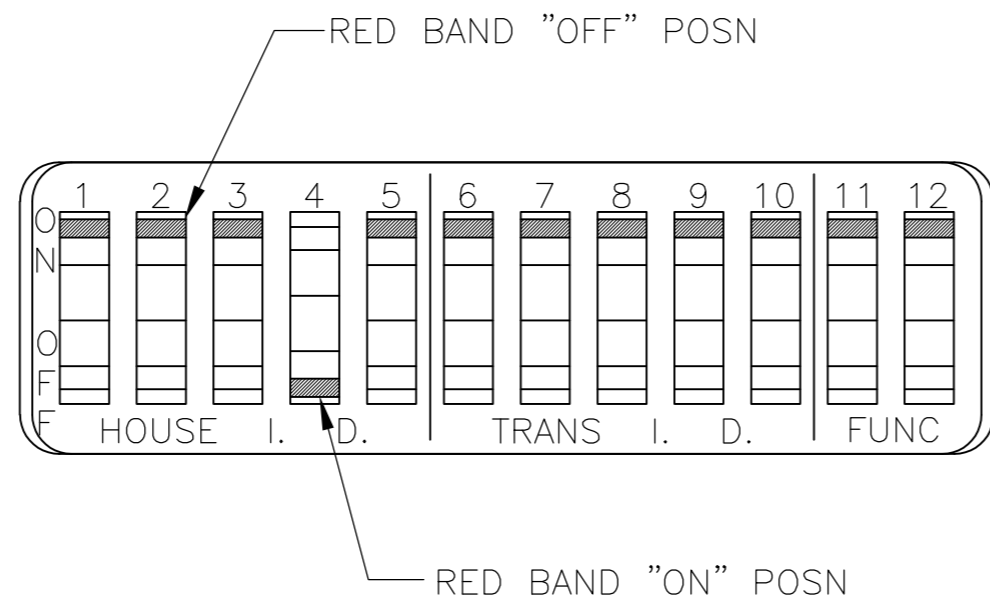


FIG 5

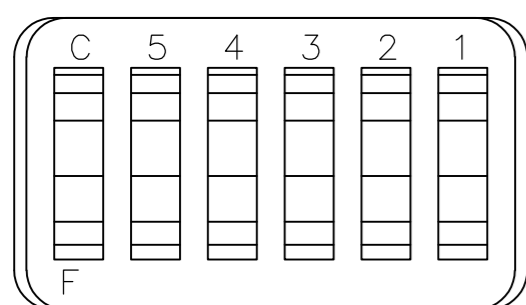


FIG 3

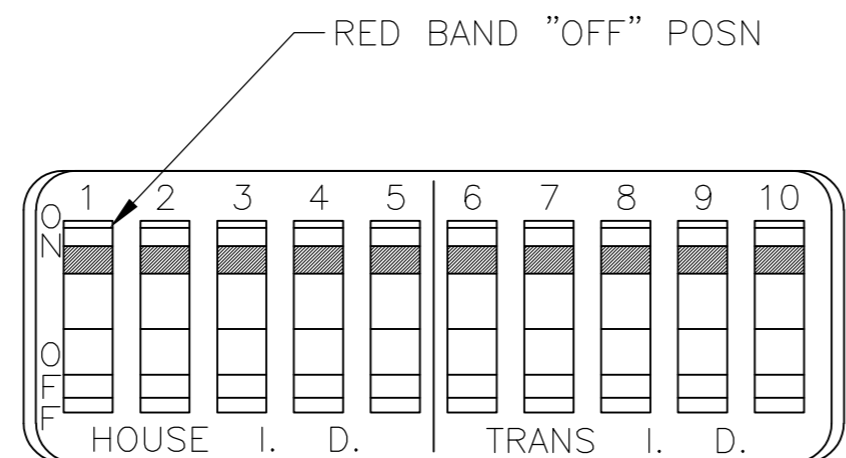


FIG 6

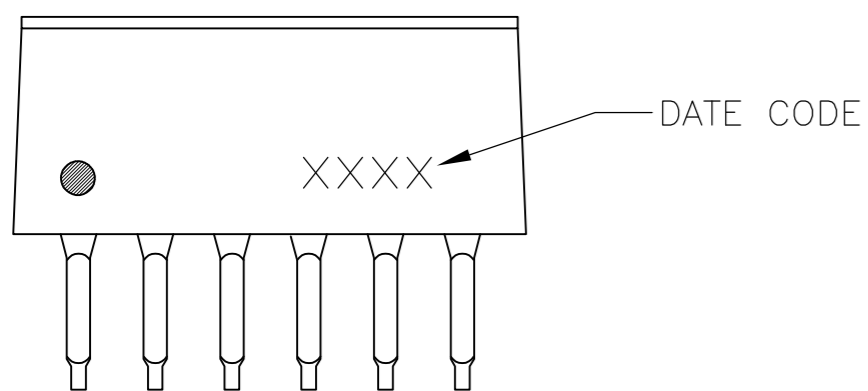


FIG 4

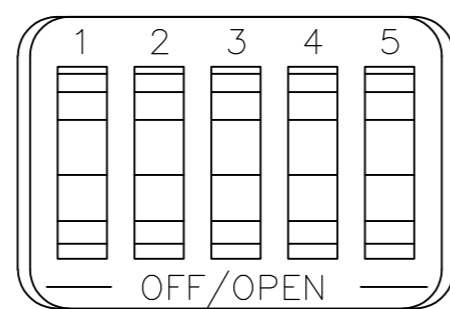


FIG 7

THIS DRAWING IS A CONTROLLED DOCUMENT.		DWN R.TALLEY 02JAN90		
DIMENSIONS: INCHES		CHK R.MILLER 03JAN90		
TOLERANCES UNLESS OTHERWISE SPECIFIED:		APVD H.LEITER 03JAN90	NAME SWITCH ASSY, DIP, TYPE C, 7100 SERIES, SPST, LOW PROFILE	
		PRODUCT SPEC -	SIZE A2	
MATERIAL		APPLICATION SPEC -	CAGE CODE 00779	DRAWING NO C=435668
FINISH		WEIGHT -	RESTRICTED TO -	SCALE 4:1
CUSTOMER DRAWING			SHEET 2 of 2	REV AM2